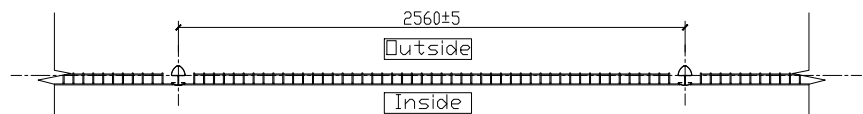
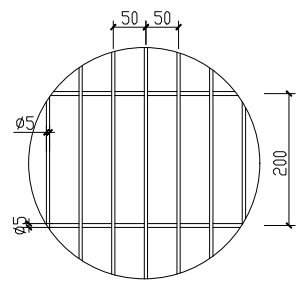


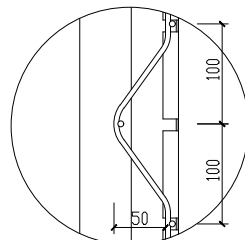
Elevation View



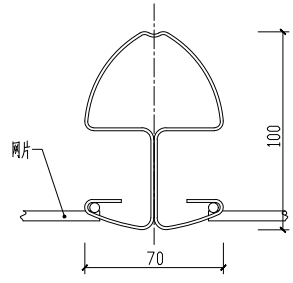
Plan View



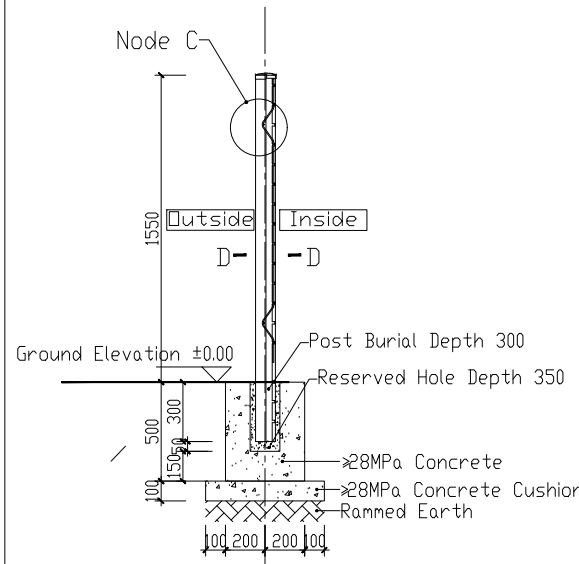
Node B 4:1



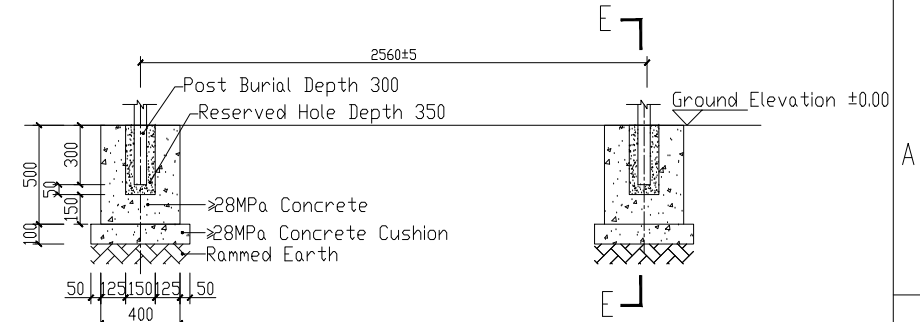
Node C 5:1



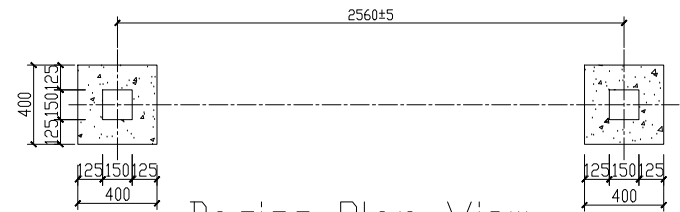
D-D 10:1



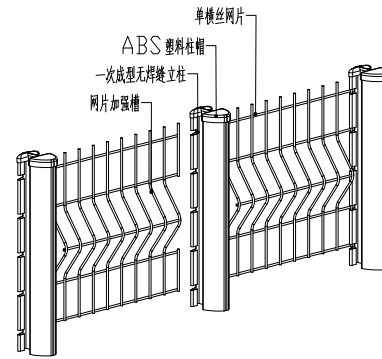
A-A Sectional



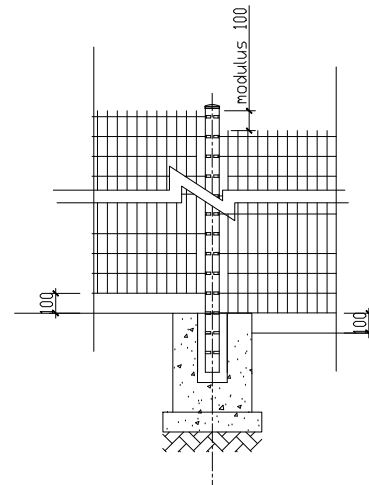
Basics Elevation View



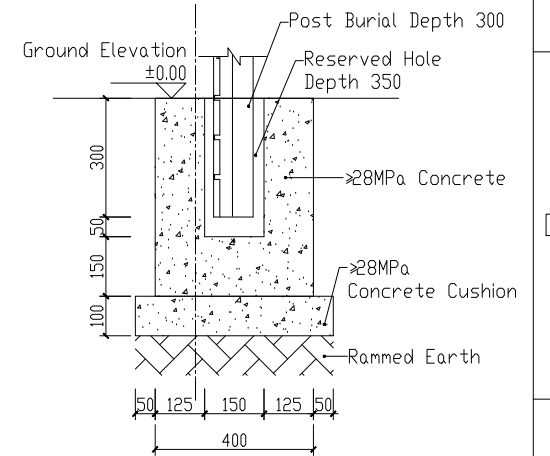
Basics Plan View



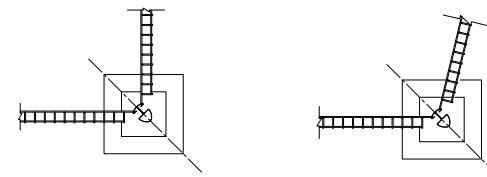
Perspective View



Ladder Node



E-E Sectional 2:1



Corner Node

Technical Description:

- The dimensions marked in the figure are the centerline dimensions, measured in millimeters;
- The installation height of the fence is 1530 (excluding the foundation), and the center distance of the columns is  $2560 \pm 5$ ;
- The fence is composed of directly buried columns (including top cover), mesh and other components;
- The column adopts a one-time formed seamless profile, made of continuous hot-dip galvanized steel plate, material DC51D+Z, with a galvanizing amount of  $\geq 20g/m^2$  (double-sided);
- The cross-sectional size of the column is  $70 \times 100 \times 1.2$ , with a height of 1850;
- The mesh is made of high-strength cold drawn hot-dip galvanized steel wire resistance welding, material Q195, steel wire tensile strength  $\geq 450MPa$ , steel diameter  $\phi 5$  (horizontal wire) +  $\phi 5$  (vertical wire), reinforced groove 50 (wire) X100 (horizontal wire), galvanizing amount  $\geq 20g/m^2$ ;
- The height of the mesh is 1430, the width is 2500, and the grid is 50 (threads) x 200 (horizontal threads);
- The surface of the columns and mesh is coated with high adhesion thermosetting polyester powder electrostatic coating, with a coating thickness of  $\geq 100\mu m$ , coating adhesion of  $\geq 0$  level, and coating gloss; 80-95°, photo aging  $\geq$  level 0, weather resistance  $\geq 5$ ;
- The fence foundation is made of  $\geq 28MPa$  cast-in-place concrete, with reserved holes for  $150 \times 150 \times 350$  columns to be buried. After the columns are buried, they are fixed by secondary pouring, with a burial depth of  $\geq 300$ .

**COLLIAND**

Project Name:

Building Name:

Drawing Title:

PDN&TP-1530 Fence construction drawing

Project No.

Drawing Phase

Drawing No.

Scale

Version

Date

旧版图号

新版图号

签字

日期

F

F