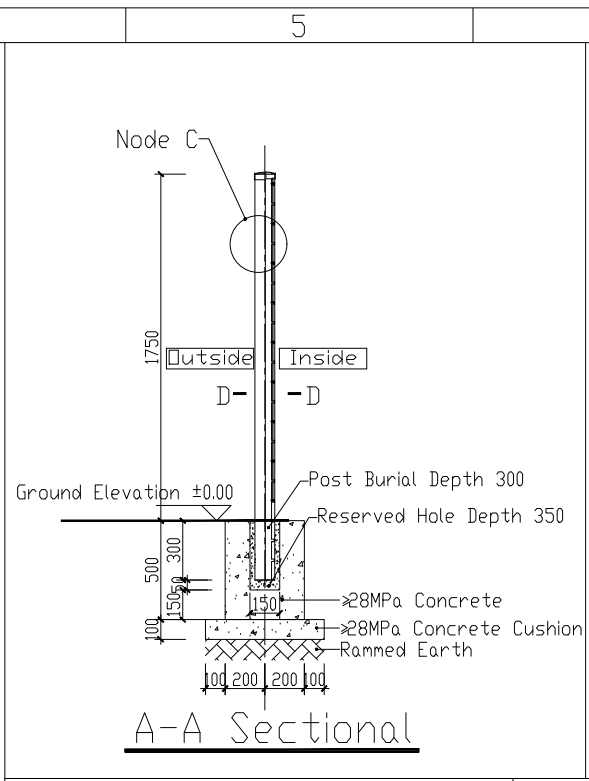
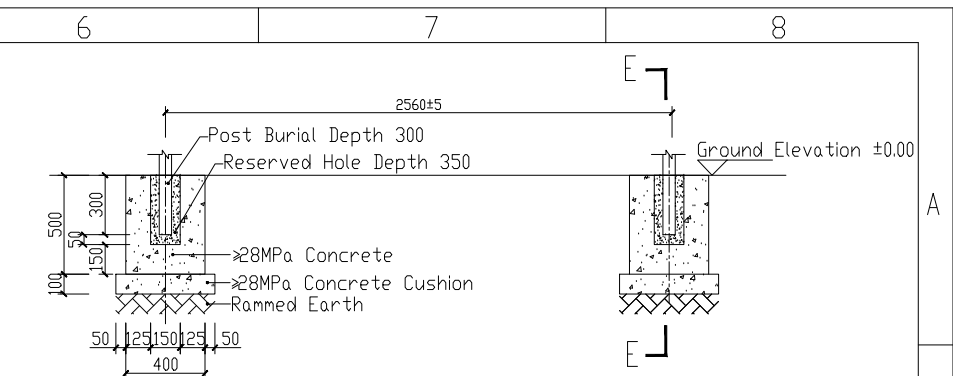


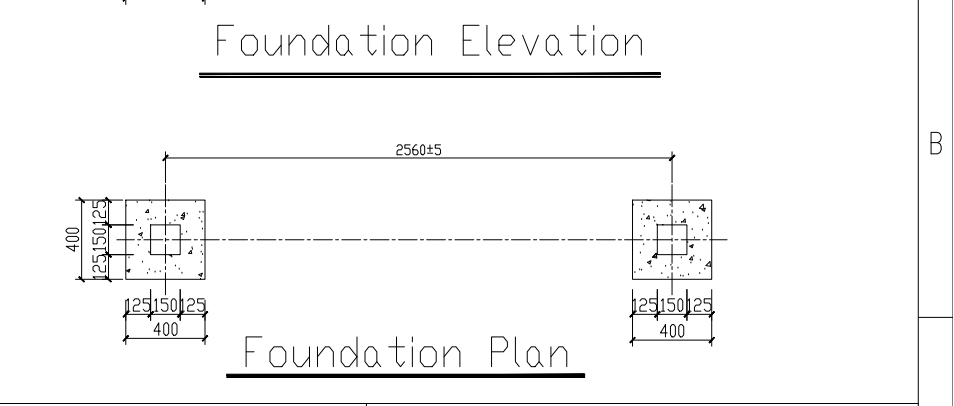
Fence Elevation



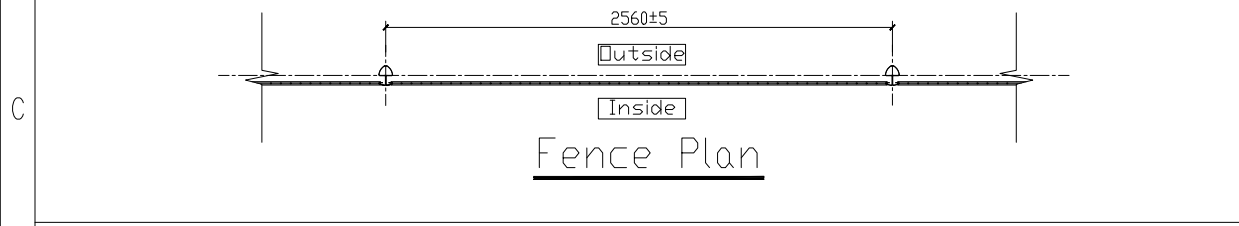
A-A Sectional



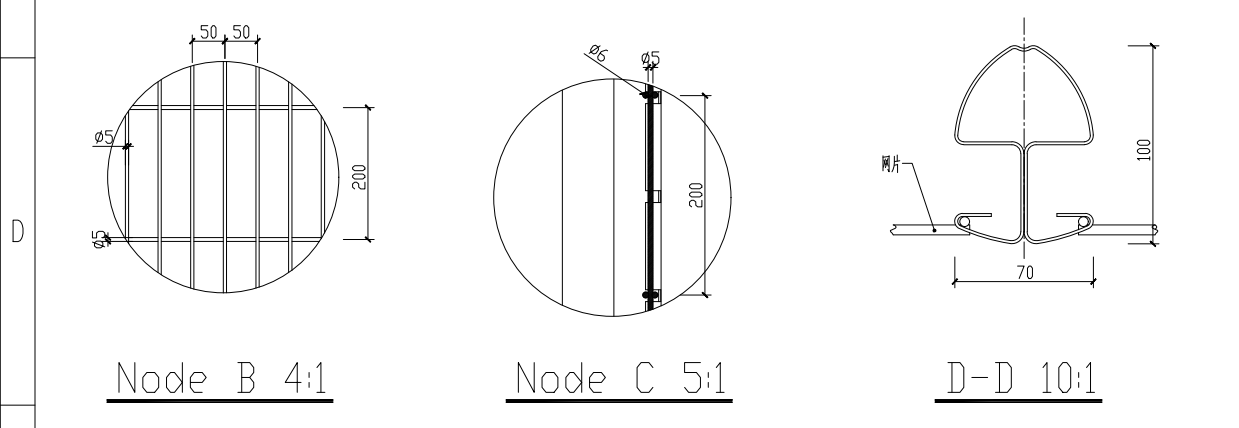
Foundation Elevation



Foundation Plan



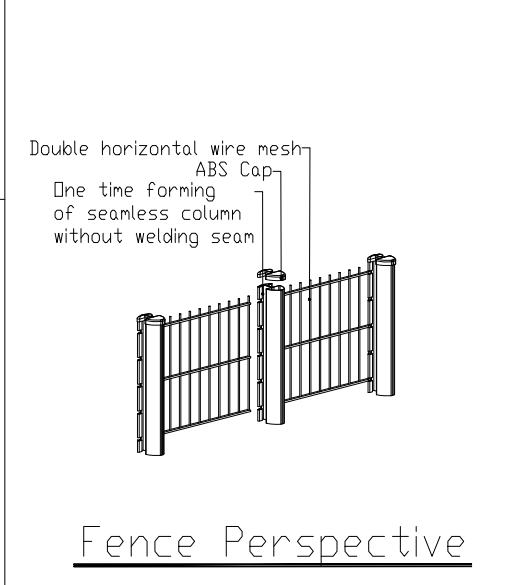
Fence Plan



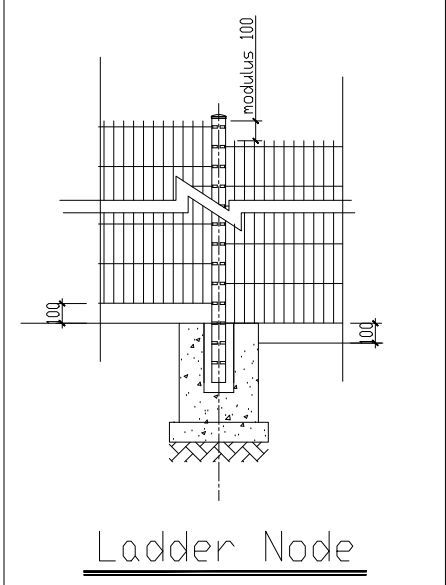
Node B 4:1

Node C 5:1

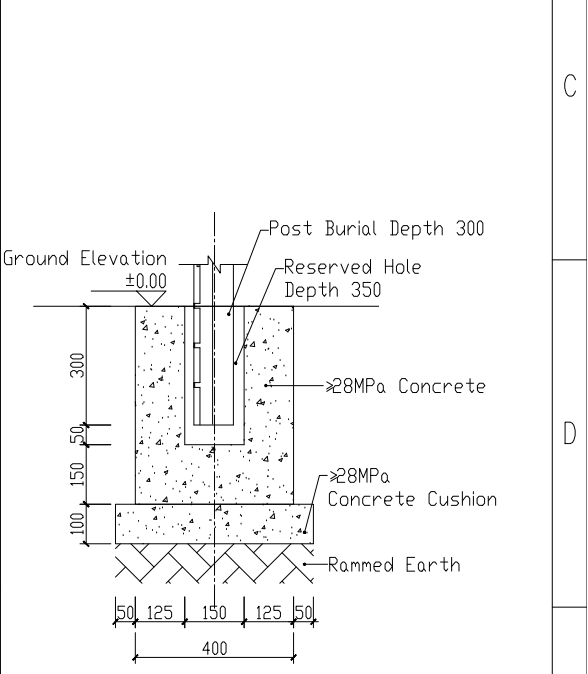
D-D 10:1



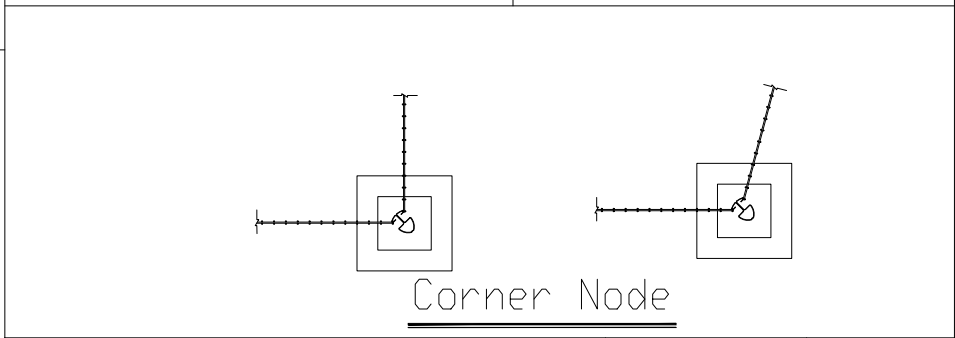
Fence Perspective



Ladder Node



E-E 剖面图 2:1



Corner Node

Former outline drawing Number

Outline drawing Number

Signature

Date

Technical Description:  
 1.The dimensions marked in the figure are the centerline dimensions, measured in millimeters;  
 2.The installation height of the fence is 1730 (excluding the foundation), and the center distance of the columns is 2560 ± 5;  
 3.The fence is composed of directly buried columns (including top cover), mesh and other components;  
 4.The column adopts a one-time formed seamless profile, made of continuous hot-dip galvanized steel plate, material DC51D+Z, with a galvanizing amount of  $\geq 120\text{g}/\text{m}^2$  (double-sided);  
 5.The cross-sectional size of the column is 70x100x1.2, with a height of 2050;  
 6.The mesh is made of high-strength cold drawn hot-dip galvanized steel wire resistance welding, material Q195, steel wire tensile strength  $\geq 450\text{MPa}$ , steel diameter  $\phi 6$  (horizontal wire)+ $\phi 5$  (vertical wire)+ $\phi 6$  (horizontal wire), reinforced groove 50 (wire) X100 (horizontal wire), galvanizing amount  $\geq 120\text{g}/\text{m}^2$ ;  
 7.The height of the mesh is 1630, the width is 2500, and the grid is 50 (threads) x 200 (horizontal threads);  
 8.The surface of the columns and mesh is coated with high adhesion thermosetting polyester powder electrostatic coating, with a coating thickness of  $\geq 100\mu\text{m}$ , coating adhesion of  $\geq 0$  level, and coating gloss; 80-95°, photo aging  $\geq$  level 0, weather resistance  $\geq 5$ ;  
 9.The fence foundation is made of  $\geq 28\text{MPa}$  cast-in-place concrete, with reserved holes for 150x150x350 columns to be buried. After the columns are buried, they are fixed by secondary pouring, with a burial depth of  $\geq 300$ .

**COLLIAND**

Drawn by	Verified by
Designed by	Examined by
Checked by	Project Principal

Project Name:	Project No.
Building Name:	Drawing Phase
Drawing Title:	Drawing No.
PSN&TP-1730 Fence construction drawing	Scale
	Version
	Date