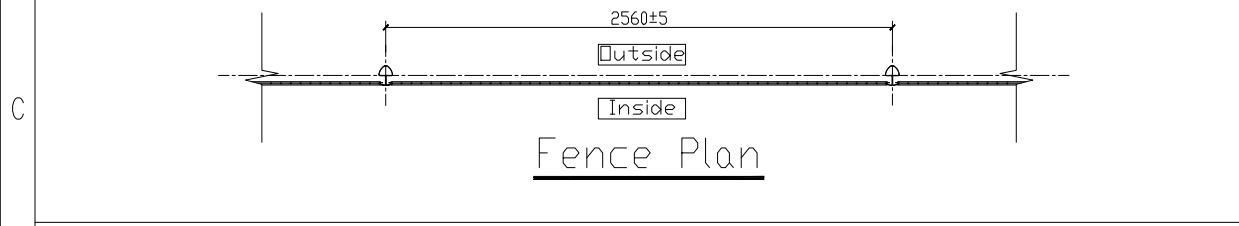
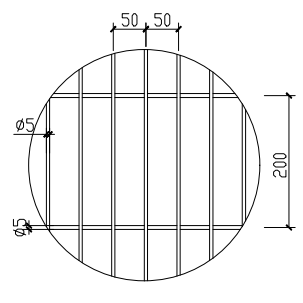


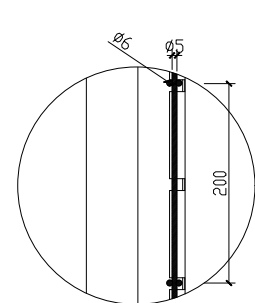
Fence Elevation



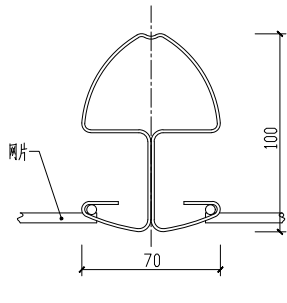
Fence Plan



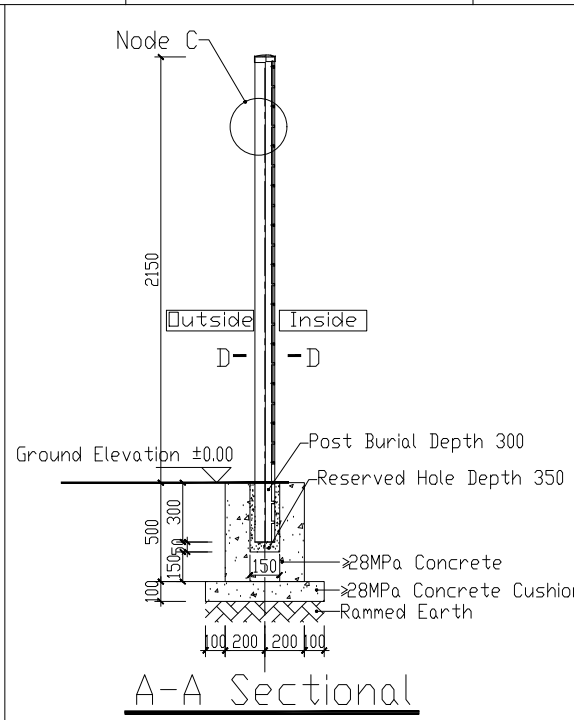
Node B 4:1



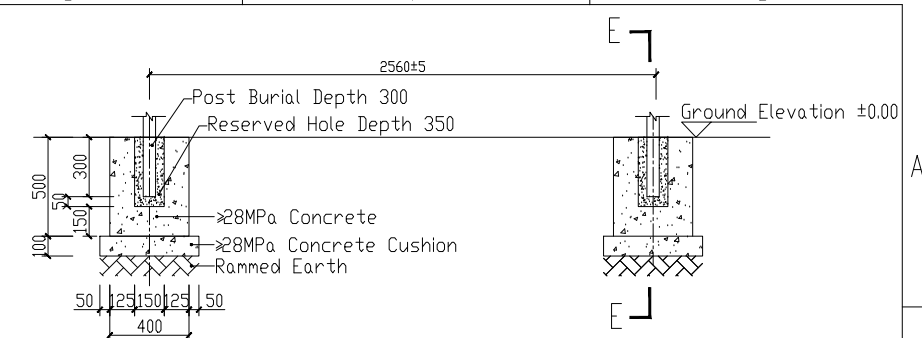
Node C 5:1



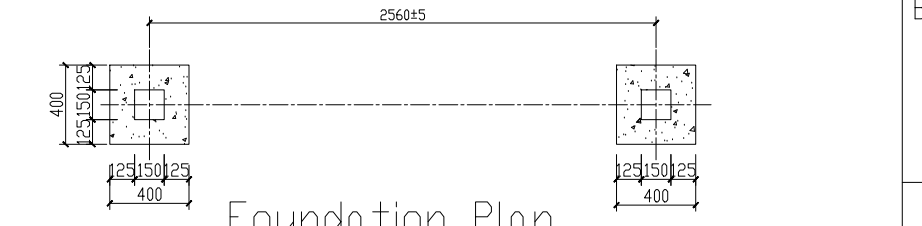
D-D 10:1



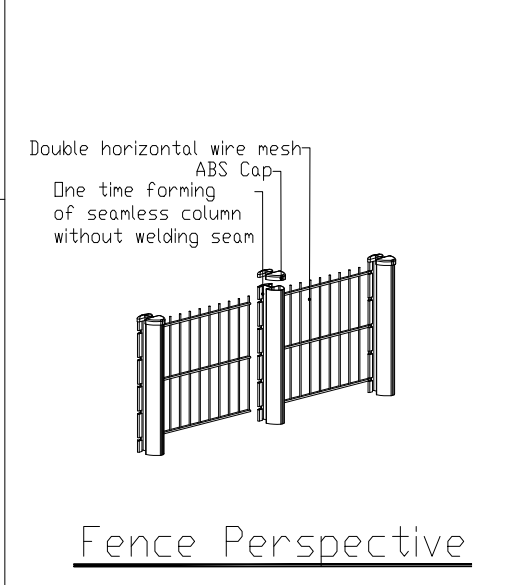
A-A Sectional



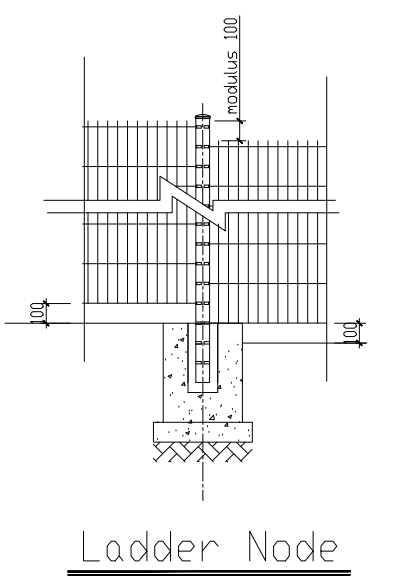
Foundation Elevation



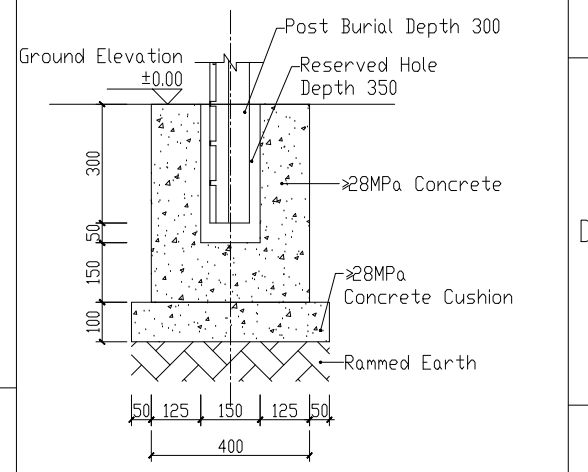
Foundation Plan



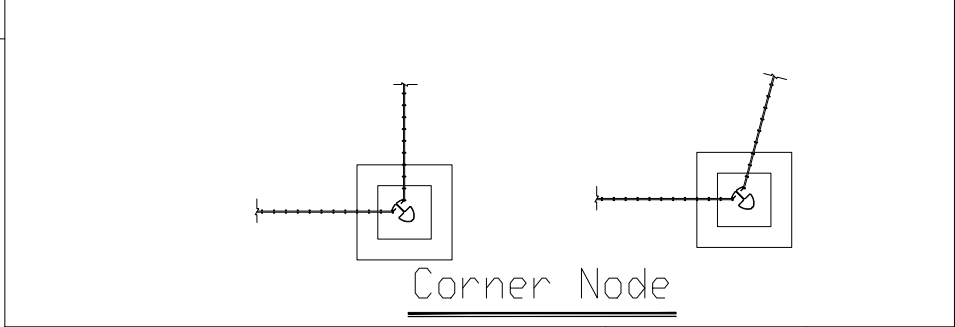
Fence Perspective



Ladder Node



E-E 剖面图 2:1



Corner Node

Former outline drawing Number
Outline drawing Number
Signature
Date

Technical Description:
 1.The dimensions marked in the figure are the centerline dimensions, measured in millimeters;
 2.The installation height of the fence is 2130 (excluding the foundation), and the center distance of the columns is 2560 ± 5;
 3.The fence is composed of directly buried columns (including top cover), mesh and other components;
 4.The column adopts a one-time formed seamless profile, made of continuous hot-dip galvanized steel plate, material DC51D+Z, with a galvanizing amount of ≥120g/m² (double-sided);
 5.The cross-sectional size of the column is 70x100x1.2, with a height of 2450;
 6.The mesh is made of high-strength cold drawn hot-dip galvanized steel wire resistance welding, material Q195, steel wire tensile strength ≥450MPa, steel diameter Ø6 (horizontal wire)+Ø5 (vertical wire)+Ø6 (horizontal wire), reinforced groove 50 (wire) X100 (horizontal wire), galvanizing amount ≥ 120g/m²;
 7.The height of the mesh is 2030, the width is 2500, and the grid is 50 (threads) x 200 (horizontal threads);
 8.The surface of the columns and mesh is coated with high adhesion thermosetting polyester powder electrostatic coating, with a coating thickness of ≥100um, coating adhesion of ≥ 0 level, and coating gloss; 80-95°, photo aging ≥ level 0, weather resistance ≥5;
 9.The fence foundation is made of ≥28MPa cast-in-place concrete, with reserved holes for 150x150x350 columns to be buried. After the columns are buried, they are fixed by secondary pouring, with a burial depth of ≥300.

COLLIAND		Project Name:	Project No.
		Building Name:	Drawing Phase
Drawn by	Verified by	Drawing Title: PSN&TP-2130 Fence construction drawing	Drawing No.
Designed by	Examined by		Scale
Checked by	Project Principal		Version
			Date