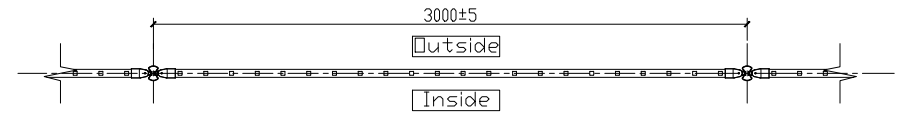
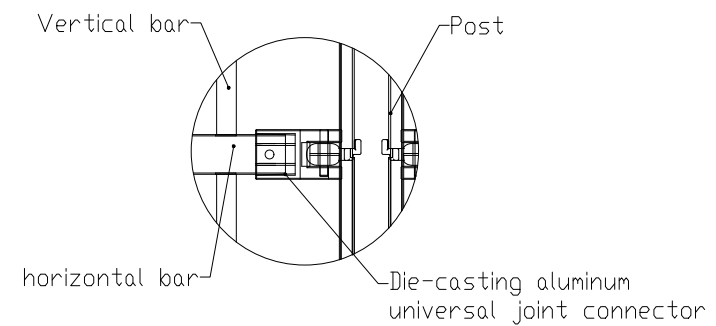


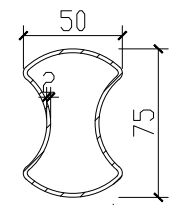
Fence Elevation



Fence Plan

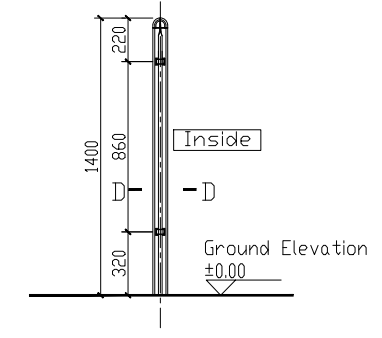


Node B 5:1

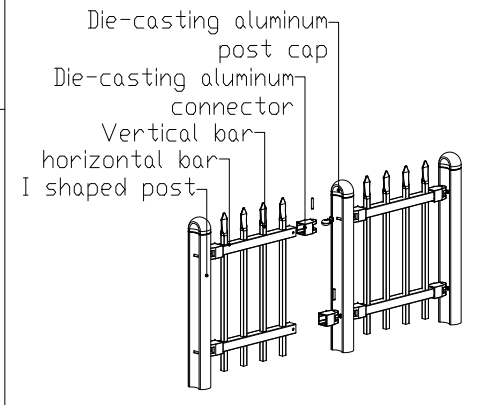


D-D 10:1

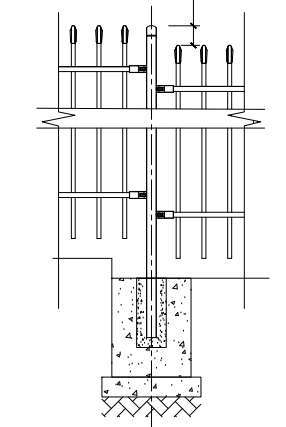
Technical Description:
 1.The dimensions indicated in the figure are measured in millimeters;
 2.The fence is composed of posts (including caps), fence pieces, cast aluminum connectors, hardware accessories, and other components;
 3.The center to center distance of the fence posts is 3000, the installation height is 1400;
 4.The post is made of 50*75 mm shaped profiles. The material is double-sided hot-dip galvanized sheet, with a thickness of 2.0 and a galvanizing amount of $\geq 120g/m^2$;
 5.The horizontal bar is made of 40*25 rectangular pipe, made of double-sided hot-dip galvanized sheet with a thickness of 1.2 and a galvanizing amount of $\geq 120g/m^2$;
 6.The vertical pole is made of 20 * 20 square pipe material, which is double-sided hot-dip galvanized sheet. Thickness of 1.0, galvanized amount $\geq 120g/m^2$.and a net space distance of 110;
 7.The posts and fence pieces are connected by die-cast aluminum universal joints, and the crossbars and vertical bars are connected by welding;
 8.The surface of the columns and mesh is coated with high adhesion thermosetting polyester powder electrostatic coating, with a coating thickness of $\geq 100\mu m$, coating adhesion of ≥ 0 level, and coating gloss 80-95°, photo aging \geq level 0, weather resistance ≥ 5 ;
 9.The fence foundation is made of $\geq 28MPa$ cast-in-place concrete, with reserved holes for 150x150x350 columns to be buried. After the columns are buried, they are fixed by secondary pouring, with a burial depth of ≥ 300 .



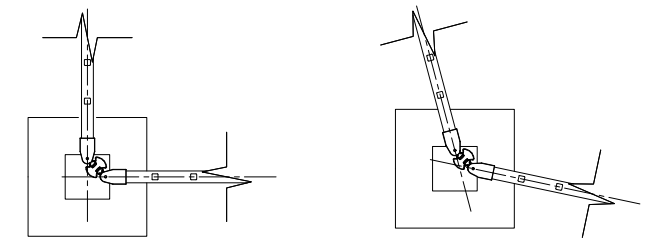
A-A Sectional



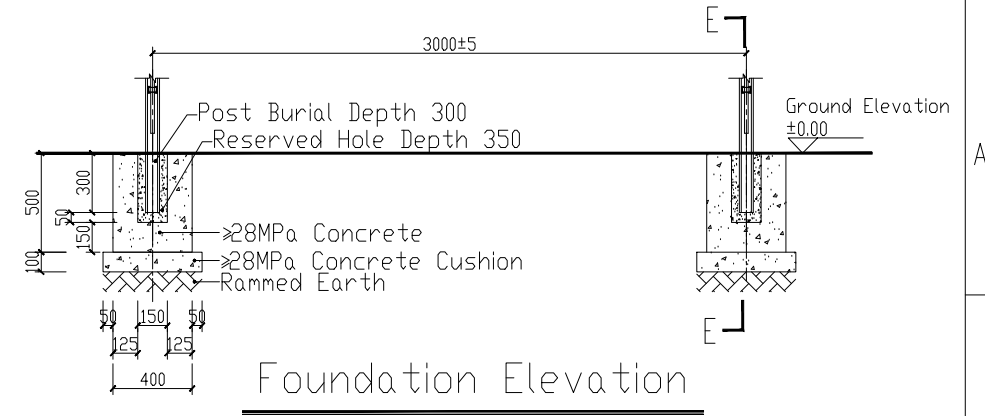
Fence Perspective



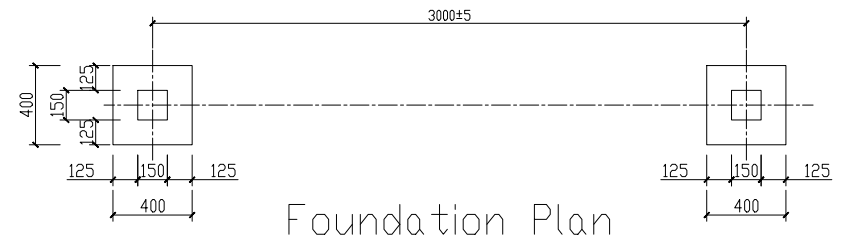
Ladder Node



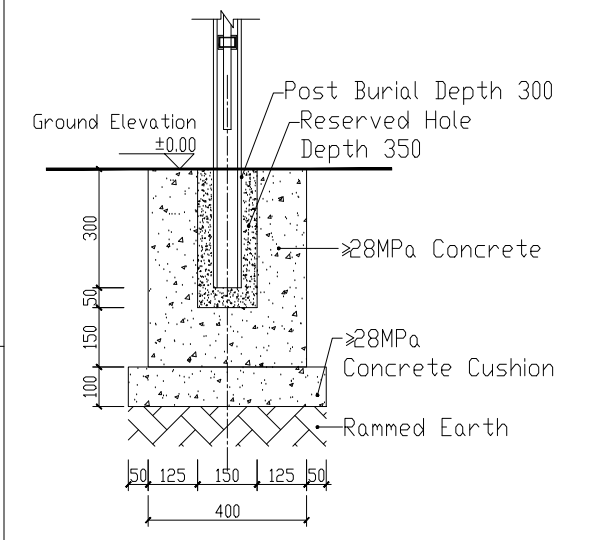
Corner Node



Foundation Elevation



Foundation Plan



E-E Sectional 2:1

COLLIAND

Project Name:		Project No.	
Building Name:		Drawing Phase	
Drawing Title:	PFN&IP-1400 Fence construction drawing	Drawing No.	
Scale		Version	
Date		Date	

Drawn by	Verified by
Designed by	Examined by
Checked by	Project Principal

Former outline drawing Number
 Outline drawing Number
 Signature
 Date