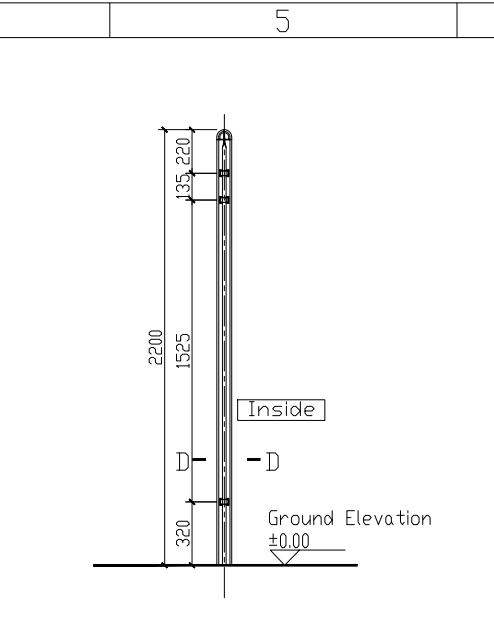
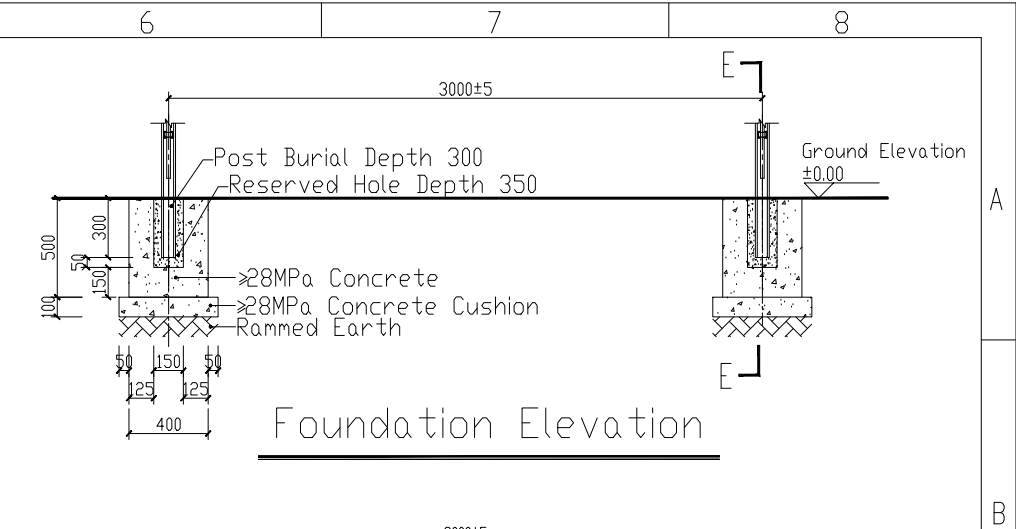


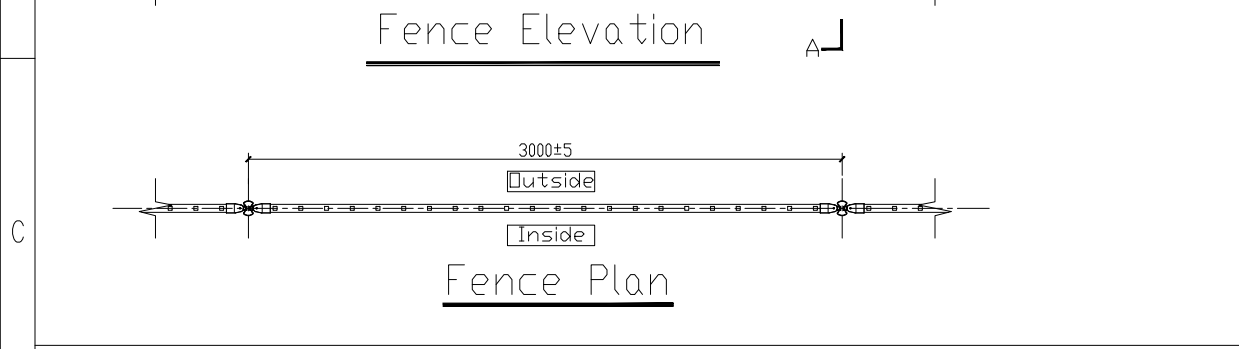
Fence Elevation



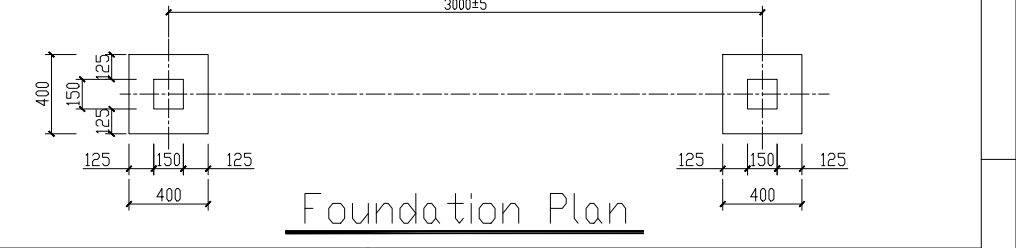
A-A Sectional



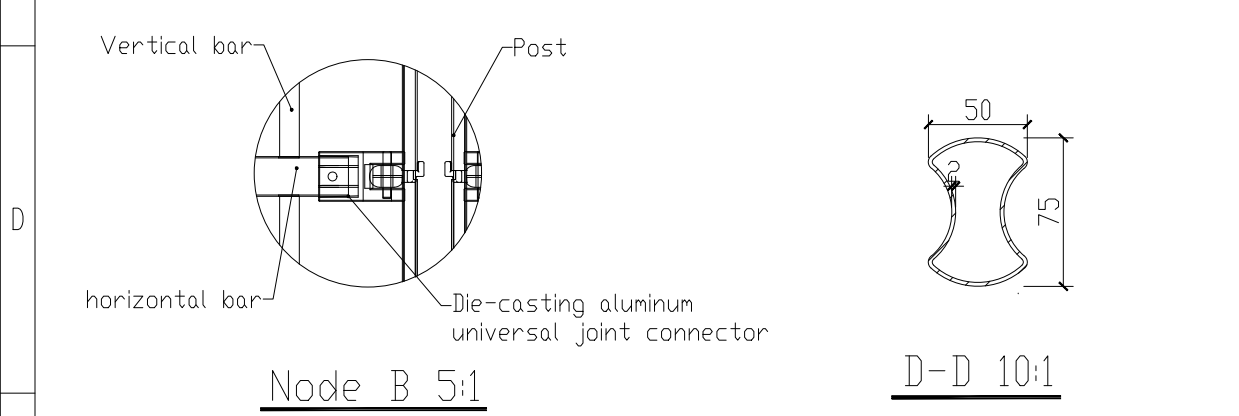
Foundation Elevation



Fence Plan

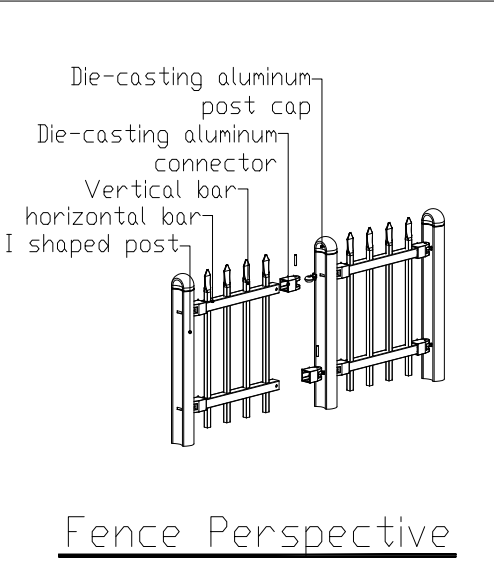


Foundation Plan

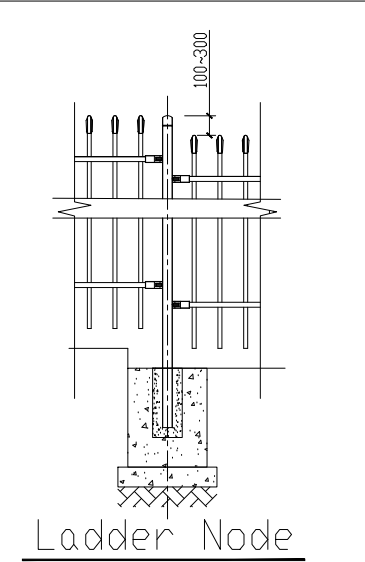


Node B 5:1

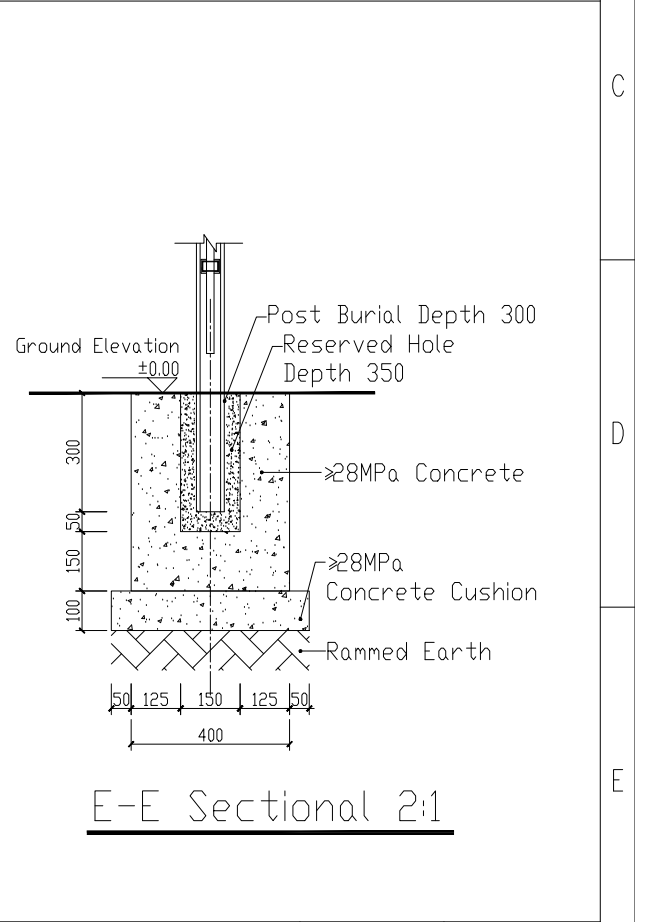
D-D 10:1



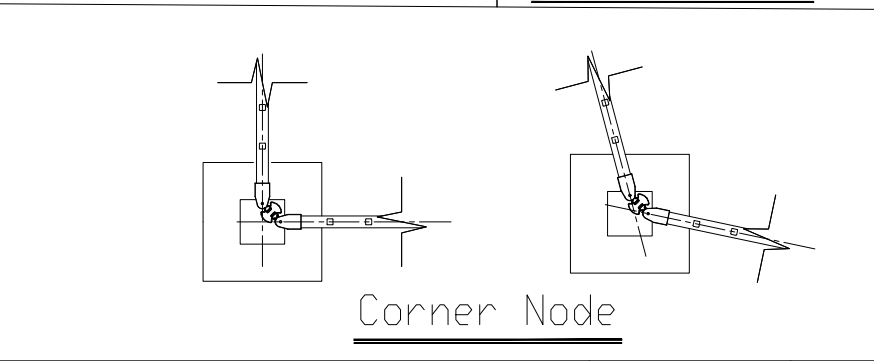
Fence Perspective



Ladder Node



E-E Sectional 2:1



Corner Node

Former outline drawing Number  
Outline drawing Number  
Signature  
Date

Technical Description:  
 1.The dimensions indicated in the figure are measured in millimeters;  
 2.The fence is composed of posts (including caps), fence pieces, cast aluminum connectors, hardware accessories, and other components;  
 3.The center to center distance of the fence posts is 3000, the installation height is 2200;  
 4.The post is made of 50\*75 mm shaped profiles. The material is double-sided hot-dip galvanized sheet, with a thickness of 2.0 and a galvanizing amount of  $\geq 120g/m^2$ ;  
 5.The horizontal bar is made of 40\*25 rectangular pipe, made of double-sided hot-dip galvanized sheet with a thickness of 1.2 and a galvanizing amount of  $\geq 120g/m^2$ ;  
 6.The vertical pole is made of 20 \* 20 square pipe material, which is double-sided hot-dip galvanized sheet. Thickness of 1.0, galvanized amount  $\geq 120g/m^2$ .and a net space distance of 110;  
 7.The posts and fence pieces are connected by die-cast aluminum universal joints, and the crossbars and vertical bars are connected by welding;  
 8.The surface of the columns and mesh is coated with high adhesion thermosetting polyester powder electrostatic coating, with a coating thickness of  $\geq 100\mu m$ , coating adhesion of  $\geq 0$  level, and coating gloss 80-95°, photo aging  $\geq$  level 0, weather resistance  $\geq 5$ ;  
 9.The fence foundation is made of  $\geq 28MPa$  cast-in-place concrete, with reserved holes for 150x150x350 columns to be buried. After the columns are buried, they are fixed by secondary pouring, with a burial depth of  $\geq 300$ .

<b>COLLIAND</b>		Project Name:		Project No.	
		Building Name:		Drawing Phase	
Drawn by	Verified by	Drawing Title: PFN&IP-2200 Fence construction drawing	Scale		
Designed by	Examined by		Version		
Checked by	Project Principal		Date		